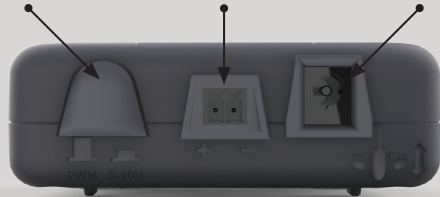




The Fluence **Dimmer** is a reliable, user-friendly device that controls light intensity from 0-100% for up to 50 Fluence fixtures. This device allows growers to control the light intensity of their Fluence fixtures via an easy-to-use up/down arrow function, and clearly shows the user their light output intensity percentage via a digital display.

This dimmer is meant to control the overall light intensity of your Fluence Bioengineering fixture(s). It is not meant to act as a timer to control photoperiod. Please use a switch or timer to power fixtures on/off for photoperiod control.

0-10V/PWM SWITCH SIGNAL PORT 12v POWER PORT



SPECIFICATIONS

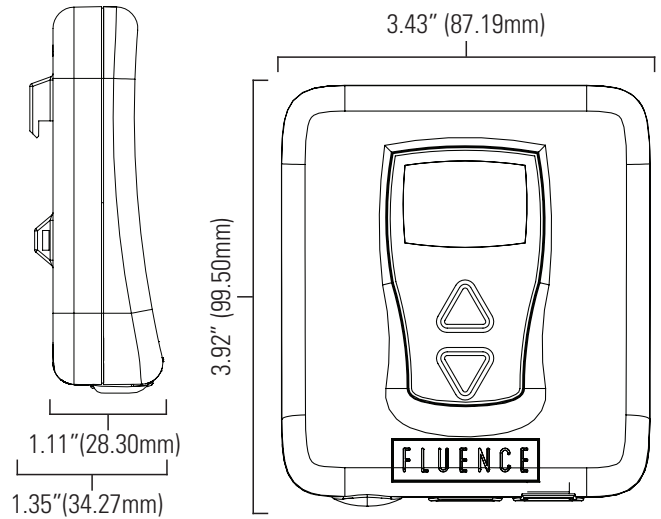
Number of Channels	1
Signal Type	0-10V or PWM
Signal Strength	Source/Sink 40 mA DC
Max Fixtures Controlled	50 Source Control / 15 Sink Control
Max Signal Wire Length	200 feet max 60 meters max
10V Output Control	0-10V ± 0.1V
PWM Output Control	0-100% ± 1%
Power Supply Input	120-240 VAC 50/60 Hz
Output power to Dimmer	+12 VDC at 0.5A, sourced from Fixture or Wall Power
Dimensions Weight	3.9" L x 3.4" W x 1.3" H 5 oz 9.9cm L x 8.7cm W x 3.4cm H 142 g
Warranty	1-year
Light Control	Light Intensity
Time Control	Hold at Set Point only
Photoperiod Control	No
Ease of Use	Simple
Relative Humidity	Less than 80%+
User Interface	Two Push Buttons

FAMILY	MODEL	DIMMING SIGNAL WIRE OPTIONS
C Controller	W Dimmer	2 5' PWR/DIM Whip U Dual Connectors & US Power Plug

DIMENSIONS

[SIDE VIEW]

[FRONT VIEW]



CONNECTOR CHOICES



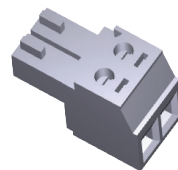
5' PWR/DIM Whip

Ideal for controlling a single SPYDR 2 or VYPR 2 fixture, this 5' PWR/DIM Whip draws power from, and supplies a dimming signal to, your fixture. Please note, while the 5' PWR/DIM Whip does not need a plug to operate, it does require your Dimmer to be mounted within 5' of the fixture.



Dual Connectors & Power Plug

This Dual Connector includes one push-lock and one threaded connector that output simultaneous and identical dimming signals, and a discrete 12V power supply that requires a 120V outlet. Dual Connectors are ideal for controlling multiple fixtures of any kind.



Spare Connector

We've included a spare dimming-cable connector in both of the above options along with instructions on how to connect your signal-wires. Attaching the spare connector takes less than 2 minutes and can be added to the dimming-cable of your choice or to your existing dimming-cable.



contact **FLUENCE**
512.212.4544

info@fluencebioengineering.com
www.fluence.science/SPYDR