

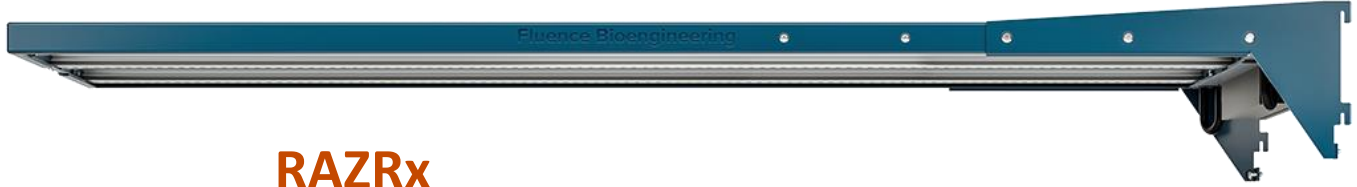


B I O E N G I N E E R I N G

+1(512) 212-4544

info@fluencebioengineering.com

www.fluence.science/RAZR

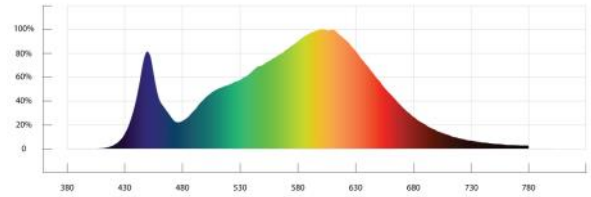


RAZR_x

SPECIFICATIONS

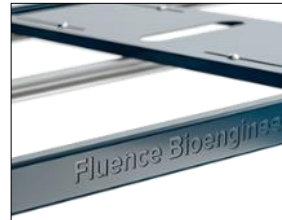
Light Source	LED
Spectrum	PhysioSpec™
PPF	210 μmol/s
Input Power	90W
Efficacy	2.3 μmol/J
Input Voltage	Autosensing 100-277V
Fixture Dimensions Weight	52.3" L x 17"-23" W x 1.2" H 14lbs 132.8cm L x 43.2-58.4cm W x 3.1cm H 6.35kg
Mounting Height	≥ 5" (12.7cm) Above Canopy
Thermal Management	Passive
Dimming	0-10V
Light Distribution	120°
Lifetime	L90: > 54,000hrs
Power Factor	> 90%
Certifications	UL 1598 Wet Location Rating
Warranty	3 Year Standard or 5 Year Extended Warranty

PhysioSpec™



MAX AMPERAGE BY VOLTAGE SERVICE

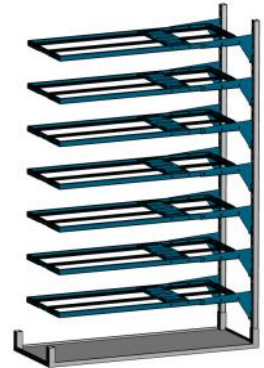
VOLTAGE	120V	208V	240V	277V
RAZR _x	0.75A	0.43A	0.38A	0.32A



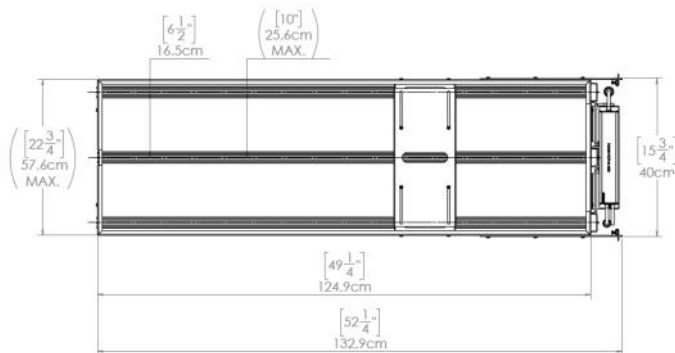
Adjustable Width



Onboard Power Supply



Cantilevers Optional for Danish Trolleys



FAMILY	MODEL	SPECTRUM	INPUT VOLTAGE	AC CORD LENGTH	AC PLUG	MOUNTING
RR	RAZR X x	P PhysioSpec™	1 100-277V	06 6 ft (1.83m) 15 15 ft (4.57m)	N5 NEMA 5-15P N6 NEMA 6-15P L7 NEMA L7-15P PT Pigtails	H Hooks C Cantilevers





FLUENCE

B I O E N G I N E E R I N G